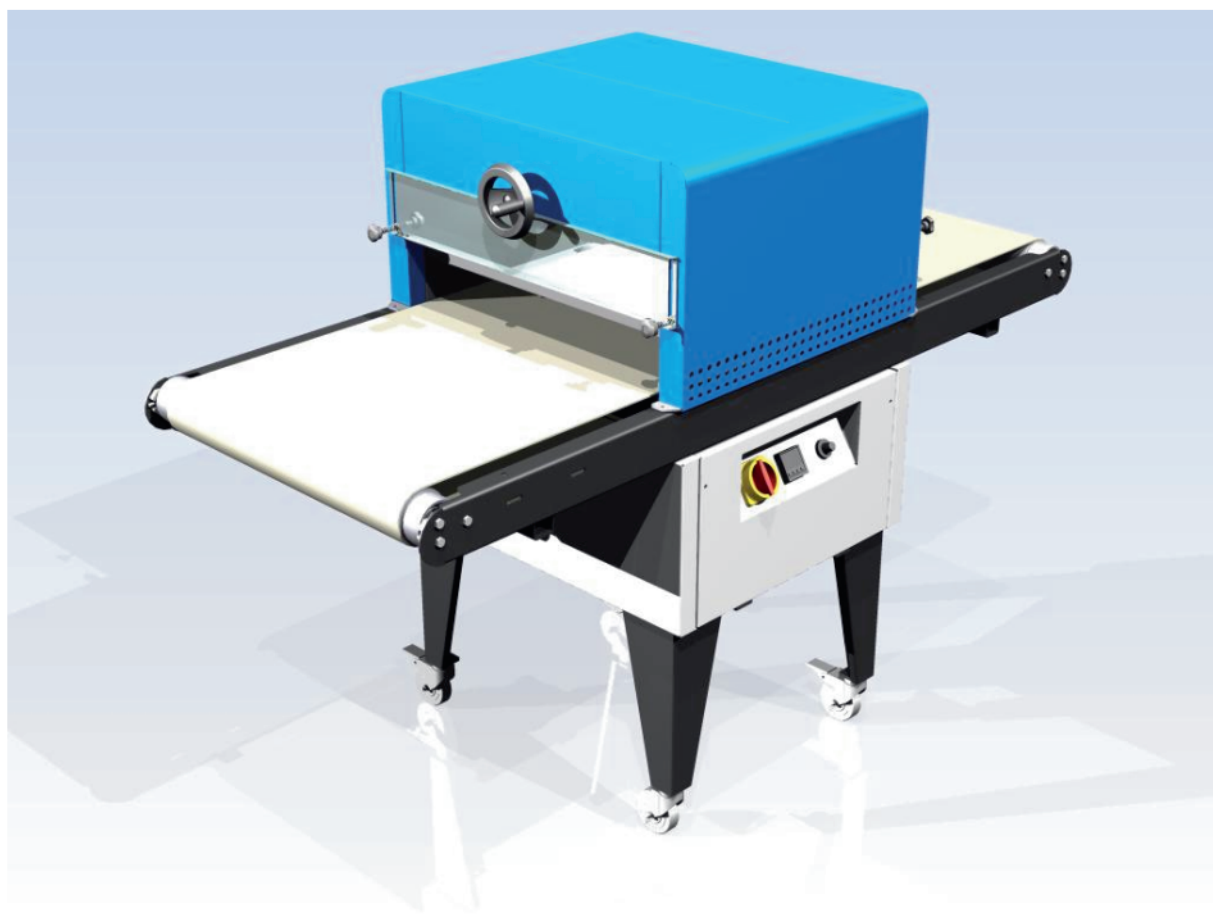


DRYER FOR DIGITAL AND SIMPLE PRINTS ON FABRICS

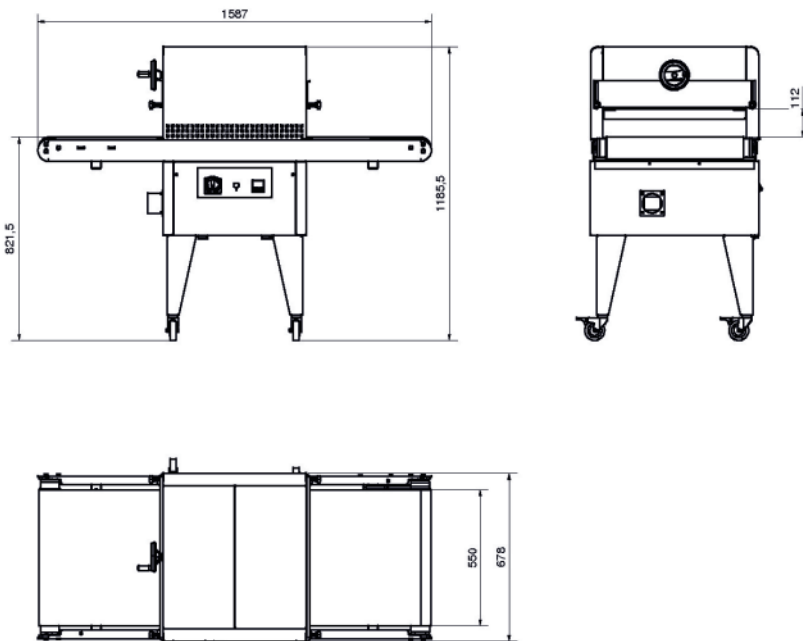


OPTIONAL ACCESSORIES



INFRARED THERMOMETER





FEATURES

Baby is a high quality dryer designed to solve small ink drying problems in the sector of screen printing and digital printing on fabric.

Thanks to the use of three short-wave tungsten lamps and reflectors with optimized design, the inks dry rapidly and perfectly.

Four fans ensure excellent ventilation contributing to rapid drying of the inks. The removable lamp unit can be adjusted for height by means of an external handwheel.

The belt speed is controlled by a knob also provided with a block, and the temperature can be adjusted by means of just two buttons (UP-DOWN) of a digital display temperature regulator, both positioned on the control panel. Two wheels of the trolley are provided with brake to ensure machine stability.

ADVANTAGES

Only three but efficient lamps are used. Capacity of operation also at high temperatures (200°C).

Rapid drying of the print, both dark and light colours, without any difference.

Temperature and belt speed completely adjustable by means of simple instruments on the control panel.

Lamp height adjustment ensured by means of a convenient handwheel.

Operation at 230V.

Economic, thanks to low current consumption.

TECHNICAL DATA VALUES

POWER SUPPLY VOLTAGE	230 V + PE
POWER INPUT	3 kW
OPERATING HEIGHT	820 mm
HEATED WIDTH	450 mm
MAX WIDTH	670 mm
MAX LENGTH	1600 mm
WEIGHT	65 kg