

SLIDING FLASH CURE FOR INTERMEDIATE DRYING SYSTEM



OPTIONAL ACCESSORIES

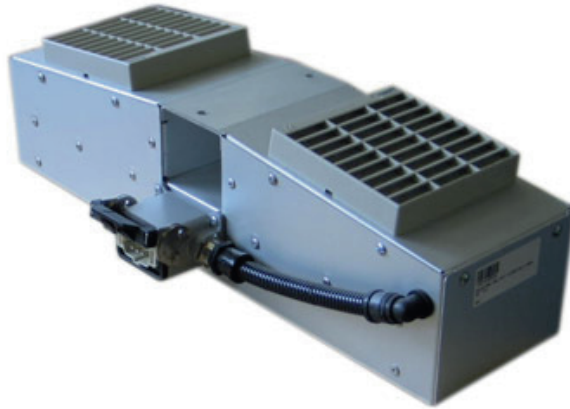


KICK START

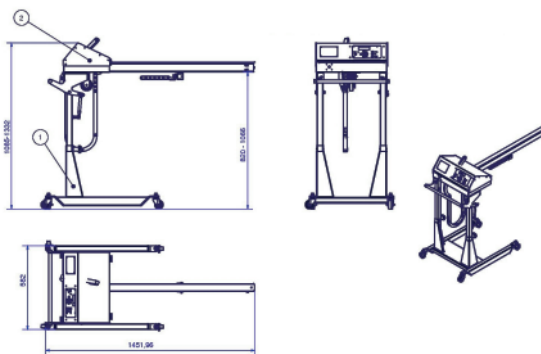


FOTOCCELLULA





Medium radiator



Yo-Yo Dimensions

FEATURES

This product consists of a motor-operated base and a sliding radiator. The low installed power makes it suitable for business enterprises where the current available is limited. The power can be adjusted to avoid damaging the delicate fabrics. The position of the radiator can be adjusted from the control panel and it works without mechanical limit switches. The stroke speed is adjustable. The useful working width depends on the radiator purchased. The standard stroke of the radiator is 700 mm, also available with 1000 mm stroke on request. It is possible to select between one or two passes on the surface to be dried. YO-YO operates with photocell, start pedal or start cable connected directly to the machine.

ADVANTAGES

The IR lamps with medium wavelength ensure rapid switching on, long life, constant efficiency on different colours of ink. It ensures easy use, low consumption and good performance. The print remains free so that the actual drying can be checked. The powerful air circulation facilitates drying of all kinds of ink. The printing tables are less stressed by heat, thus reducing the risk of deformation.

TECHNICAL DATA	SMALL RADIATOR	MEDIUM RADIATOR	LARGE RADIATOR
POWER SUPPLY	V 380/400 + N + PE	V 380/400 + N + PE	V 380/400 + N + PE
LENGTH	1510 mm	1510 mm	1510 mm
TROLLEY WIDTH	582 mm	582 mm	582 mm
TOTAL HEIGHT (min - max)	1085 - 1332 mm	1085 - 1332 mm	1085 - 1332 mm
OPERATING SURFACE HEIGHT	820 - 1065 mm	820 - 1065 mm	820 - 1065 mm
RADIATOR STROKE	700 mm	700 mm	700 mm
NUMBER OF SPEED VALUES	20	20	20
WEIGHT	50 kg	50 kg	50 kg
RADIATED WIDTH	288 mm	420 mm	700 mm
TOTAL POWER	3.1 kW	4.6 kW	6.1 kW
EXTERNAL WIDTH	380 mm	520 mm	808 mm