

## FLASH CURE FOR INTERMEDIATE DRYING SYSTEM

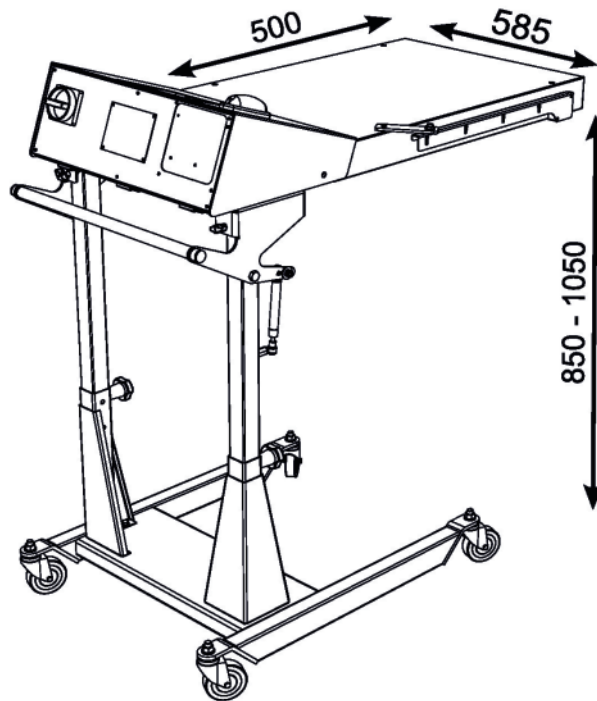


### OPTIONAL ACCESSORIES



CAVO START





Magic 5000 - Dimensions

## FEATURES

This product is particularly suitable for use on automatic printing machines. It ensures easy use, low consumption and high performance. An IR optics pyrometer instantly detects the ink temperature and stops the heating when the required temperature is reached, thus preventing the fabric from burning. The traditional timed-system can be used instead of the temperature control. Magic 5000 works with photocell or start cable connected directly to the machine. It is possible to work with 3, 6 or 9 lamps, with the three central lamps always on.

## ADVANTAGES

The air circulation facilitates drying of all kinds of ink. The 9 lamps contained in Magic 5000 are made of tungsten in vacuum, a special feature which increases the life and switching on speed. By working with temperature control, Magic 5000 automatically reduces the switching-on times when the printing tables are heated. The thickness of the radiator is such that the flash cure can be inserted in all printing stations.

## TECHNICAL DATA VALUES

<b>POWER SUPPLY</b>	<b>400 V + N + PE</b>
<b>POWER INPUT (max)</b>	<b>9 kW</b>
<b>LENGTH</b>	<b>1080 mm</b>
<b>WIDTH</b>	<b>585 mm</b>
<b>HEIGHT</b>	<b>1050 - 1250 mm</b>
<b>OPERATING SURFACE HEIGHT</b>	<b>850 - 1050 mm</b>
<b>WEIGHT</b>	<b>50 kg</b>
<b>SURFACE RADIATED WITH 3 LAMPS</b>	<b>170 x 500 mm</b>
<b>SURFACE RADIATED WITH 6 LAMPS</b>	<b>350 x 500 mm</b>
<b>SURFACE RADIATED WITH 9 LAMPS</b>	<b>500 x 500 mm</b>