



Spot Easy

The Spot Easy is a high quality product designed to dry screen printed inks on fabrics to allow overprinting. Thanks to the use of 9 medium wave Tungsten lamps and reflectors with optimized design, the inks dry fast, perfectly and its easy to use.

Spot Easy XL version has 14 lamps with a total radiated area of 500x700mm.

- Cheap Flash Cure with a thin design, versatile and perfect for small printed areas.
- The risk to damage the material is minimized, thanks to the lamps that heat both light and dark inks indifferently.
- The “pulsar” type infra-red lamps provides excellent results, ensures low consumption and long life.
- Each lamp has a luminous switch in order to operate only with the required heat.
- Spot Easy XL can control the front and back lamps independently, while the lamps in the middle are always working.
- Two fans provide ventilation of the components and contribute to the drying process.
- The lamps are switched-on by electronic components, without noise and wear.

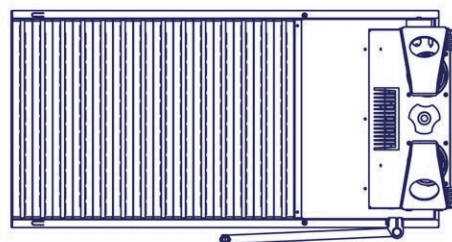
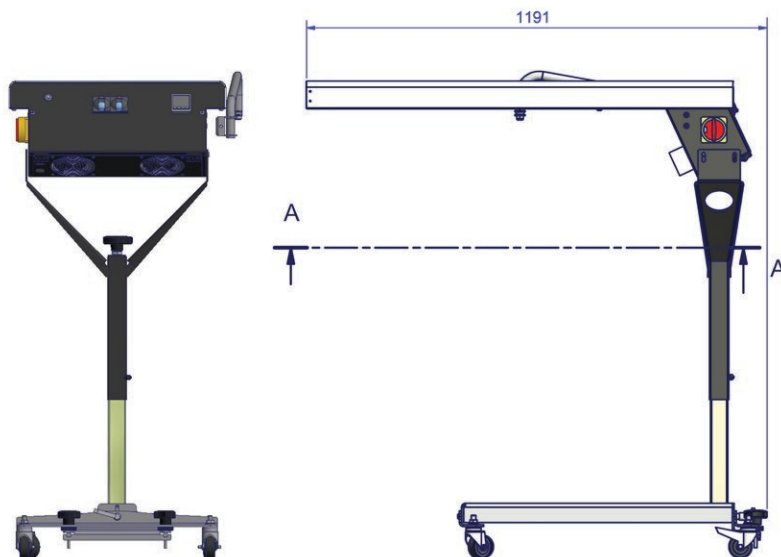
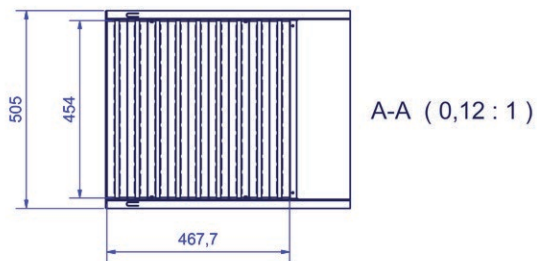
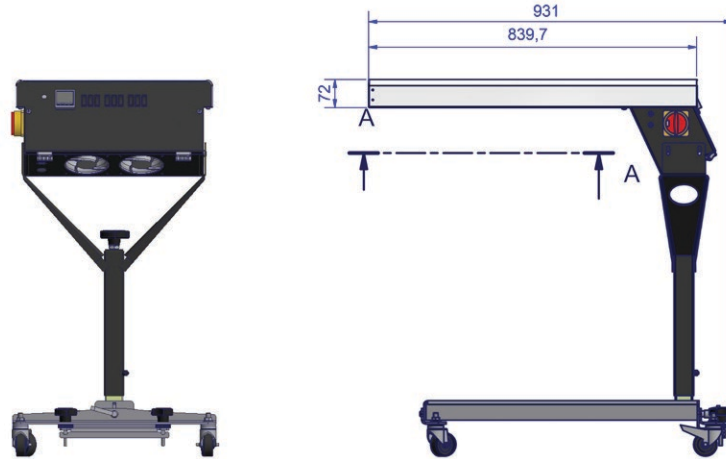
Optionals

- Photoelectric cell starting controller
- Foot switch

TECHNICAL DATA	SPOT EASY	SPOT EASY XL
Electrical Requirements	400V 3P + N + PE 13 A	400V 3P + N + PE 24 A
Power Consumption	6 kw	16,8 kw
Curing Area	420x450 mm	500x700 mm
Working height	860 - 1225 mm	860 - 1225 mm
Number of Lamps	9	14
Overall Size (L x W x H)	980x580x1250 mm	1280x580x1250 mm
Shipping Weight	43 kg	53 kg

Main Application: Screen Printing

code: 1030038-42



14 LAMPADE 1200 W = 16.800 w