

Main Application: Screen Printing

code: 1310013



## Yo-Yo

This product is composed by a motor-operated base and a sliding radiant heater.

It is the ideal choice for business enterprises where the current available is limited.

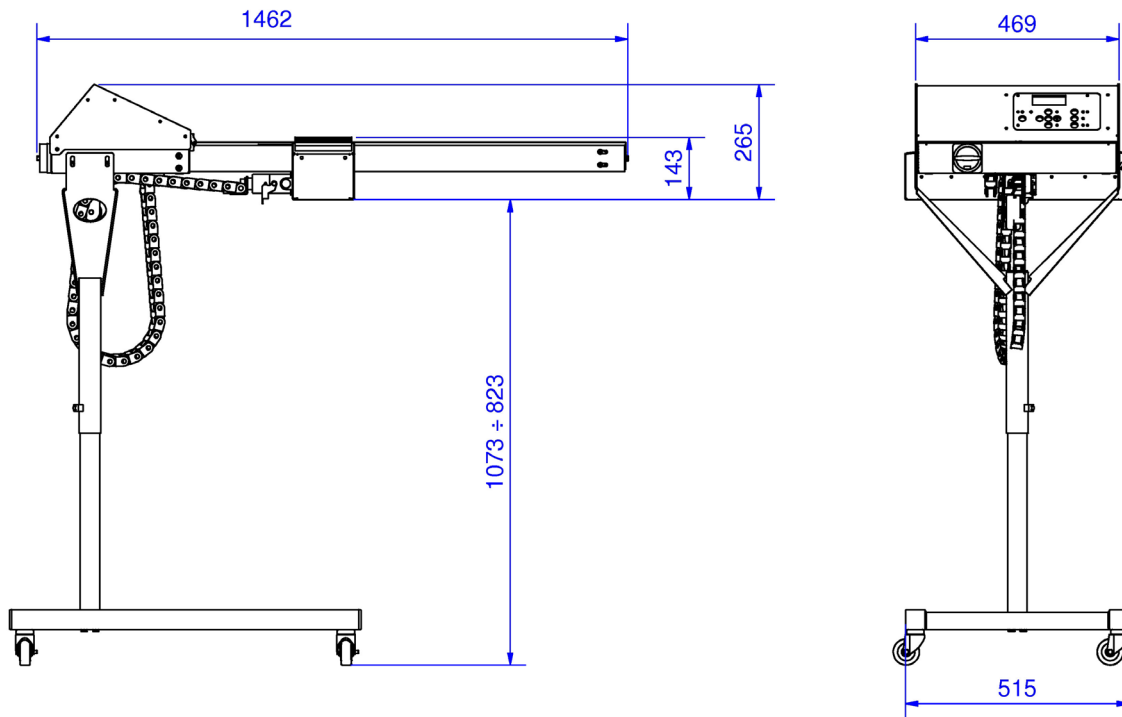
- It operates with photocell, start pedal or start cable connected directly to the machine.
- The power can be adapted to avoid damage to delicate fabrics.
- The position of the radiant heater can be adjusted from the control panel and it works without mechanical limit switches.
- The speed of the slide is adjustable. The standard run of the radiator is 1000 mm. Available also in 1100mm size.
- It is possible to select between one, two or multiple drying run on the surface.
- The printed surface remains free in order to check the actual drying process.
- The powerful air circulation facilitates the drying of all kinds of ink.
- The printing tables are less stressed by heat, thus reducing the risk of deformation.

## Optionals

- Radiant Heater format 280 mm 3000 W
- Radiant Heater format 420 mm 4500 W
- Radiant Heater format 600 mm 6000 W
- Radiant Heater format 700 mm 6000 W
- Radiant Heater format 800 mm 9000 W
- Stroke length 1100 mm
- Photoelectric cell starting controller
- Foot switch

Main Application: Screen Printing

code: 1310013



TECHNICAL DATA	YOYO				
Electrical Requirements	400V 3P + N + PE 9 A				
Radiator width Size [mm]	288	420	600	700	800
Power Consumption	3 kW	4,5 kW	6 kW	6 kW	9 kW
Radiator Stroke	1000 mm / 1100 mm				
Working Height (min-max)	850 - 1050 mm				
Overall Size (L x W <sup>1</sup> x H)	1462x515x1340 mm				
Shipping Weight	43 kg				
<sup>1</sup> Total width can change accordingly to radiator size					