



Spot Easy

The Spot Easy is a high quality product designed to dry screen printed inks on fabrics to allow overprinting. Thanks to the use of 9 medium wave Tungsten lamps and reflectors with optimized design, the inks dry fast, perfectly and its easy to use.

Spot Easy XL version has 14 lamps with a total radiated area of 500x700mm.

- Cheap Flash Cure with a thin design, versatile and perfect for small printed areas.
- The risk to damage the material is minimized, thanks to the lamps that heat both light and dark inks indifferently.
- The “pulsar” type infra-red lamps provides excellent results, ensures low consumption and long life.
- Each lamp has a luminous switch in order to operate only with the required heat.
- Spot Easy XL can control the front and back lamps independently, while the lamps in the middle are always working.
- Two fans provide ventilation of the components and contribute to the drying process.
- The lamps are switched-on by electronic components, without noise and wear.

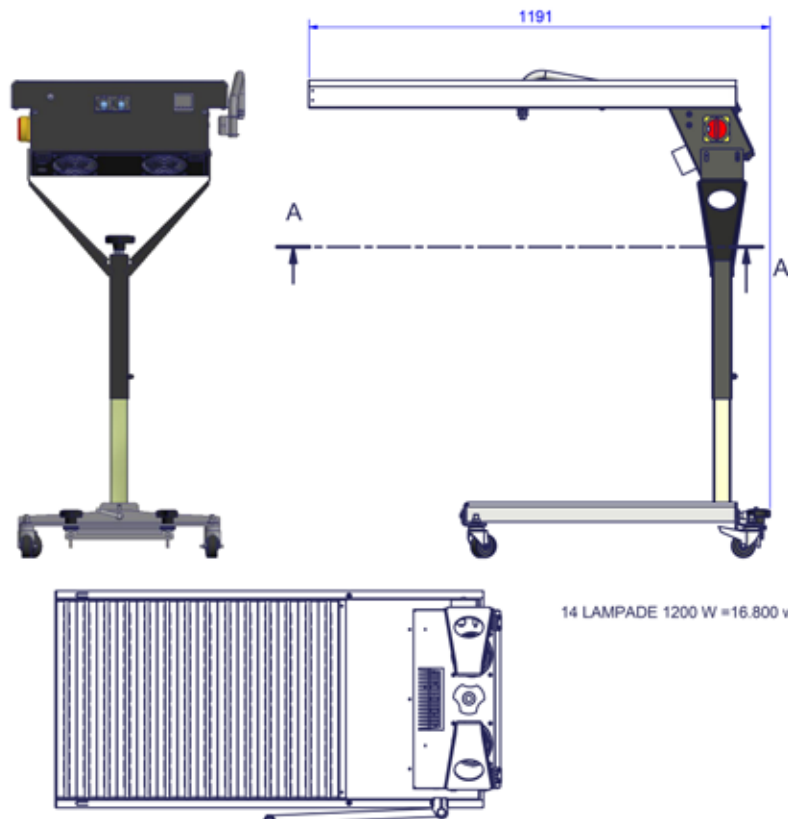
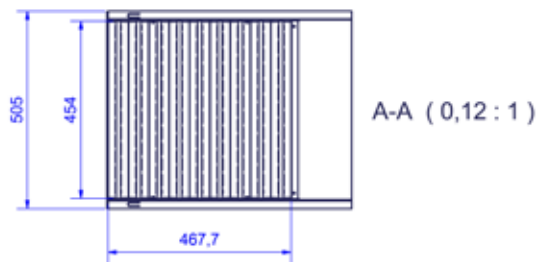
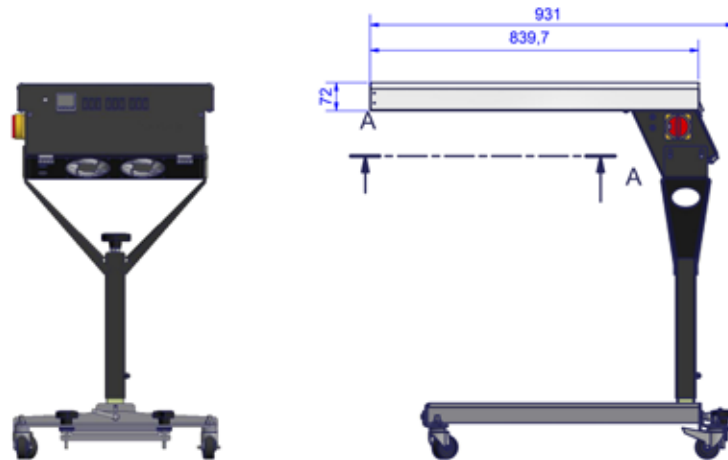
Optionals

- Photoelectric cell starting controller
- Foot switch

TECHNICAL DATA	Spot Easy code: 1030038	Spot Easy XL code: 1030042
Power supply	400V 3P+N+PE	400V 3P+N+PE
Power Consumption	9 kw - 13 A	16,8 kw - 26 A
Curing Area	420x450	500x700
Working height	890 - 1150	890 - 1150
Number of Lamps	9	14
Overall Size (L x W x H)	931x560x1250	1190x560x1250
Shipping Weight	43 kg	53 kg
! Overall height may change accordingly to support adjustments		

Main Application: Screen Printing

code: 1030038-42



The data in this document was valid at the time of publishing, and is subject to change without notice. Chiossi e Cavazzuti srl reserves the right to modify its products and change their specifications at any time, without prior notice and further obligation. It is forbidden without prior authorization from Chiossi e Cavazzuti srl to copy, modify, alter, publish, distribute, sell or transfer this material. All rights reserved.